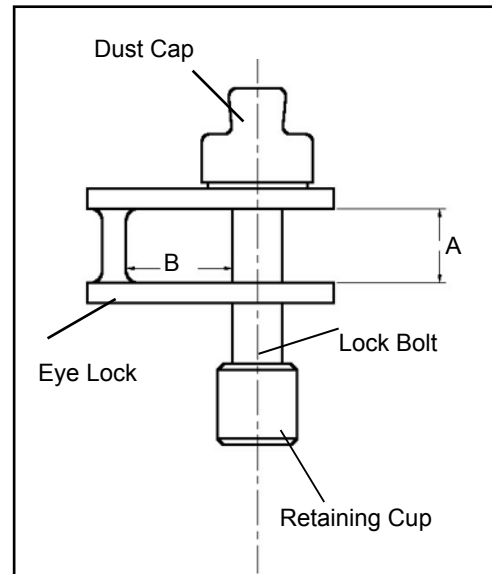


Eye Lock Data Sheet



Model	Dimension 'A'	Dimension 'B'	Weight
SA11 Eye Lock	35mm	53mm	3.2kg
SA12 Eye Lock	52mm	78mm	5.0kg

Features:

- 10mm thick top and bottom plate, case hardened.
- No padlock, uses Bulldog's highly developed Super Lock Bolt, 25.4mm diameter, case hardened body. Anti drill centre pin, 10 pin radial pin tumbler lock insert with over 1 million possible key combinations.
- Easy to operate, only the lock bolt needs to be removed to unlock trailer.
- Lock bolt can only be locked/unlocked using key, no accidental locking possible.
- Dust cap provided to prevent ingress of dust and dirt into lock.
- Finished in highly visible, yellow powder coating.
- Can be used in conjunction with Bulldog Heavy Duty Chains.
- 2 keys supplied with lock as standard. Multiple locks can be supplied with same key for fleet or multi user applications.
- Independantly tested and approved by SCM. Approval No. MP030417.

BULLDOG SECURITY PRODUCTS LIMITED
Units 1 - 4 Stretton Road, Much Wenlock, Shropshire, TF13 6DH.
Tel: 01952 728171 Fax: 01952 728117
email: sales@bulldogsecure.com www.bulldogsecure.com