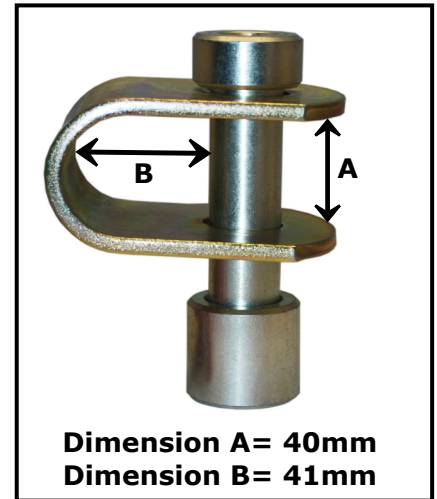


SA18 Towing Eye Lock Data Sheet



Features:

- Suitable for use with trailers fitted with 30, 40 and 50mm towing eyes.
- Manufactured from 6mm mild steel.
- Complete with Bulldog's 25mm diameter lock bolt.
- Drill and pick resistant lock.
- Zinc plated finish.
- Supplied with 2 keys.
- Can be used with Bulldog's range of high security chains.
- Weight 1.5kg.
- Overall dimensions 100 x 75 x 54mm

Bulldog Security Products Ltd

Units 1 - 4 Stretton Road, Much Wenlock, Shropshire, TF13 6DH.

Tel: 01952 728171 Fax: 01952 728117

email: sales@bulldogsecure.com www.bulldogsecure.com