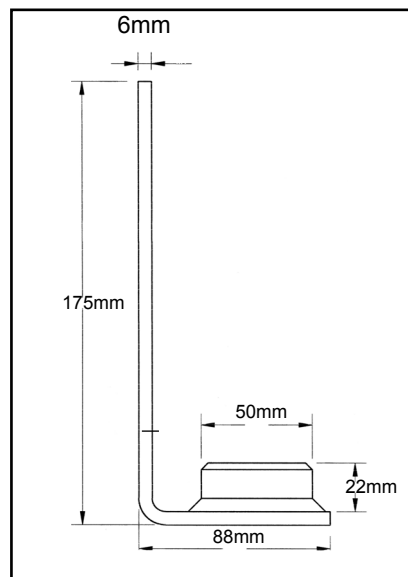
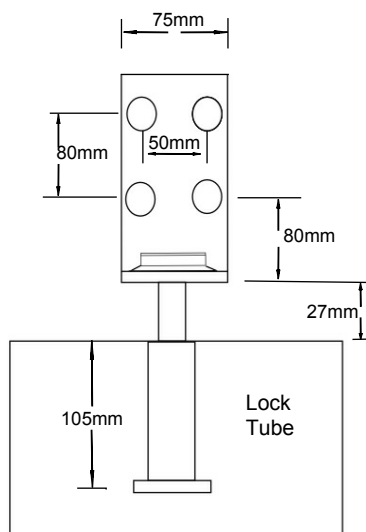


GR500 Roller Shutter Door Lock Data Sheet



Features:

- Bolt on 'L' shaped bracket to fit to either inside or outside of roller shutter door.
- Re-inforcing plate supplied in kit to strengthen door. 75mm x 110mm x 6mm thick.
- Uses Bulldog Super Lock Bolt, no padlocks. (See separate sheet).
- M10 x 75mm coach bolts supplied for attaching bracket to door.
- Lock tube fits flush into ground, no protruding parts.
- When locked, the roller shutter door is physically held to the ground making prising of the door very difficult.
- Excavation required to fit lock tube:
depth approx 125mm, diameter approx 60mm
- Weight = 2.6kg

Bulldog Security Products Ltd

Units 1 - 4 Stretton Road, Much Wenlock, Shropshire, TF13 6DH.

Tel: 01952 728171 Fax: 01952 728117

Email: sales@bulldogsecure.com www.bulldogsecure.com