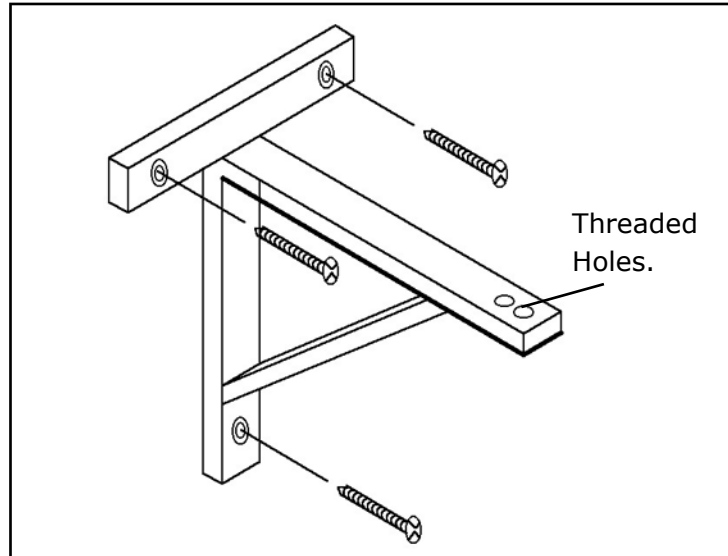


Standard wall bracket Fitting instructions



1. Mark out position on wall at a convenient height. Before drilling check very carefully for buried pipes or cables.
2. If fixing to a brick wall, drill holes with a 8mm masonry drill to take wall plugs. If fixing to a wooden beam or post a small pilot hole 3.5mm may be required. Attach bracket using the special one way screws provided. Use a good quality, flat blade, screwdriver for this operation.
3. Attach your Saddle Stop[®] to the wall bracket with M8 x 12 button head fasteners provided into the threaded holes at the end of the bracket (see instructions enclosed with Saddle Stop).

We have taken every care in the design and manufacture of this security device and we believe that it is an effective deterrent. However we cannot guarantee that it will resist the efforts of the most determined thief, and as such we do not accept any liability for loss or damage caused by theft, vandalism or other illegal activity against property to which this device is fitted.

Bulldog Security Products

Units 1 - 4 Stretton Road, Much Wenlock, Shropshire, TF13 6DH.

Tel: 01952 728171

Email sales@bulldogsecure.com www.bulldogsecure.com