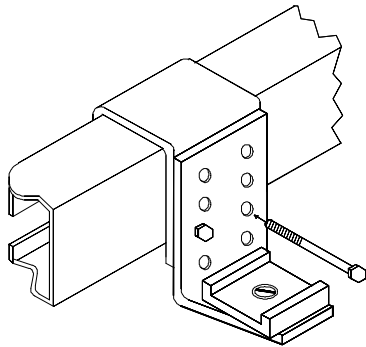
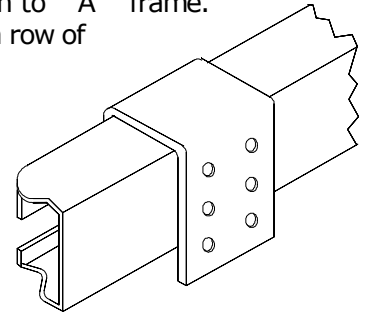


Clamp On Angle Bracket Fitting Instructions. To Fit BPW Chassis, Alko Chassis 40mm and 45mm Wide.(LC50).

Fit the Bulldog Stabiliser reversible car bracket to the car according to the Bulldog 200Q quick release stabiliser fitting instructions. Locate the stabiliser spring assembly in the car bracket.

WARNING. Ensure that only Bulldog spares and components are fitted with Bulldog stabilisers. If other makes are fitted this will invalidate the Bulldog warrantee.

1. Unscrew fasteners and remove the plastic fairing from the 'A' frame. Slide the angle bracket and slipper assembly onto the spring arm leaving 4" (100mm) of spring protruding. Holding the angle bracket vertical, scribe a pencil line down its edge onto the 'A' frame, remove the angle bracket and pull aside the spring arm.
2. Slip the saddle clamp bracket over the chassis (tapped holes to the front) and position to the vertical pencil mark as shown. Slide angle bracket assembly back onto spring arm and push to 'A' frame. Lock up quick release and lift spring arm at end between 1.5" to 2.5" . Note which row of holes in angle bracket line up with bottom holes in saddle clamp bracket.



3. Fit the angle bracket to the saddle clamp bracket with the two M8 x 75mm long bolts and nuts supplied..

* Insert appropriate packing plate between chassis and saddle clamp i.e:

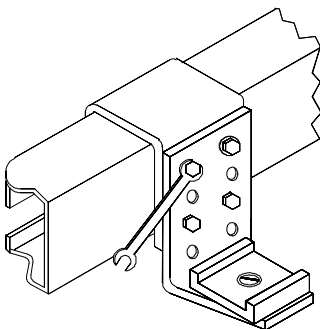
Alko 40mm wide chassis 6mm packer.

Alko 45mm wide chassis 2mm packer.

BPW chassis no packer plate required.

(On Swift Conqueror, or any other Aluminium chassis fit an insulator between saddle clamp bracket and chassis e.g. Bulldog rubber strip part number LC27)

4. Fit one serrated M8 washer and one plain washer over each of the two M8 x 16mm long set pins. Screw set pins through top two holes in angle bracket into face of saddle clamp bracket finger tight.



5. Tighten the two long bolts and nuts and the two set pins using spanners.
Do not over tighten.

6. Refit plastic fairing over bracket. Check tightness of bolts after first journey.

Bulldog Security Products

Units 1 - 4 Stretton Road, Much Wenlock, Shropshire, TF13 6DH.

Tel: 01952 728171 Fax: 01952 728117

Email sales@bulldogsecure.com www.bulldogsecure.com