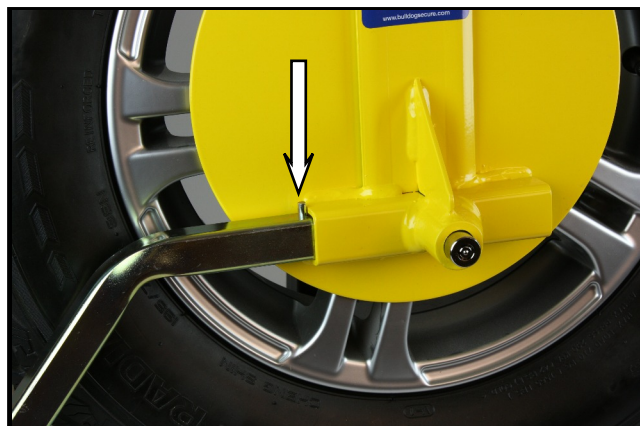


QD Wheel Clamp Fitting Instructions



1. With the lock in the unlocked position, fit the top arm and rotate until it is vertical.



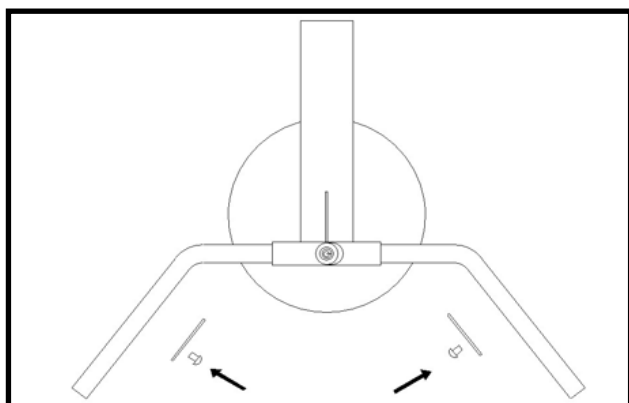
2. Fit left hand arm into channel until roll pin touches channel as shown. **(ARROW ON PICTURE)**



3. Fit right hand arm into channel until label lines up with channel.



4. The lock can now be pushed in until it clicks.



Note: QD11, QD22 & QD22Y do not require additional plates.

5. To Un-Lock Clamp: Insert key, rotate ½ turn, and pull on key until lock opens.

Dependent on tyre size and model purchased, it may be necessary to fit the reversible chock plates. The fixing hole in these plates are deliberately offset to provide various extensions for differing tyre sizes. To fit them, remove the clamp, loosely fit the chock plate and refit the clamp, once the correct fit is obtained tighten fasteners and tap the aluminium tamper proof slug into the head of the fastener.

For further guidance view our fitting video at www.bulldogsecure.com

We have taken every care in the design and manufacture of this security device and we believe that it is an effective deterrent. However we cannot guarantee that it will resist the efforts of the most determined thief, and as such we do not accept any liability for loss or damage caused by theft, vandalism or other illegal activity against property to which this device is fitted.

Bulldog Security Products

Units 1 - 4 Stretton Road, Much Wenlock, Shropshire, TF13 6DH.
Tel: 01952 728171 Fax: 01952 728117
Email sales@bulldogsecure.com www.bulldogsecure.com

Lock Lubrication.

IMPORTANT - To ensure free movement of the lock, spray lock mechanism with WD40 (or equivalent) minimum every four months.