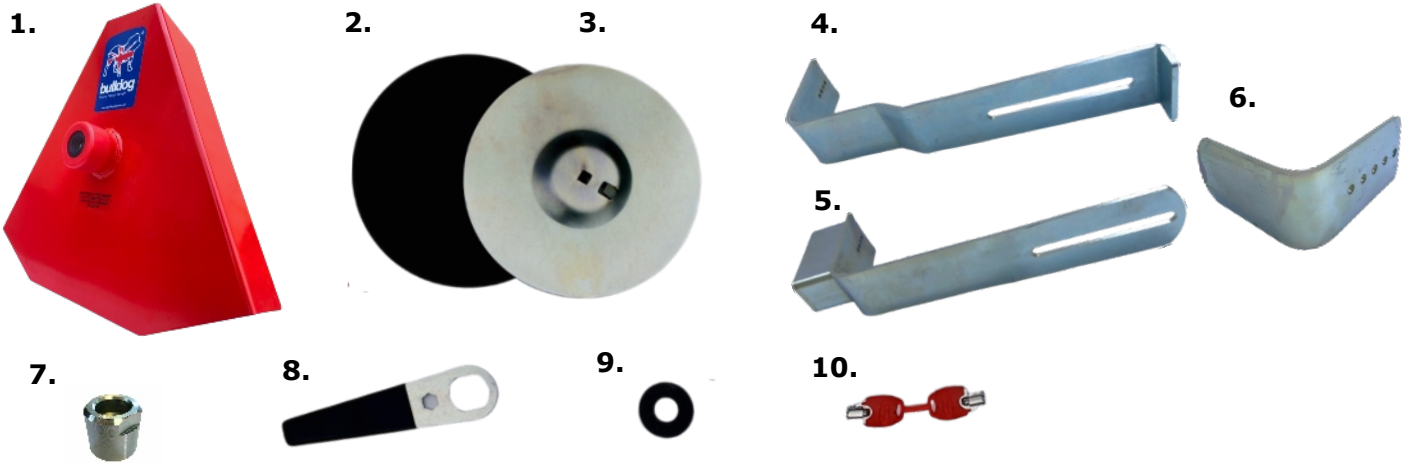


Centaur Wheel Clamp Fitting Instructions

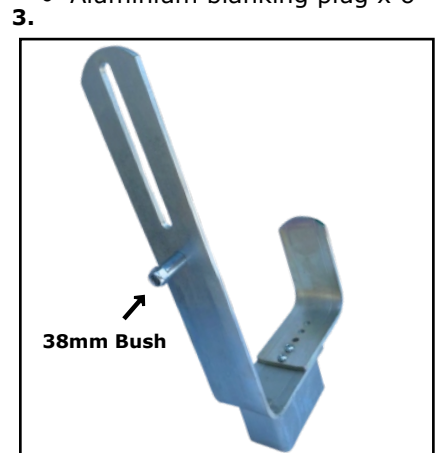


Check List

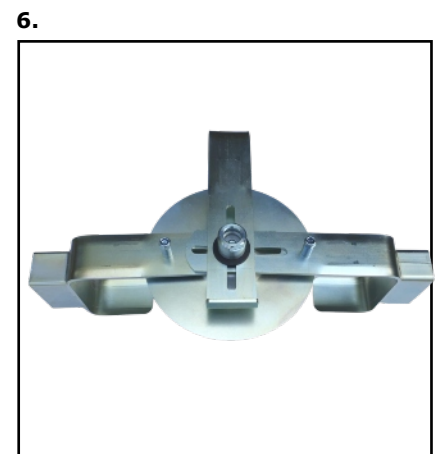
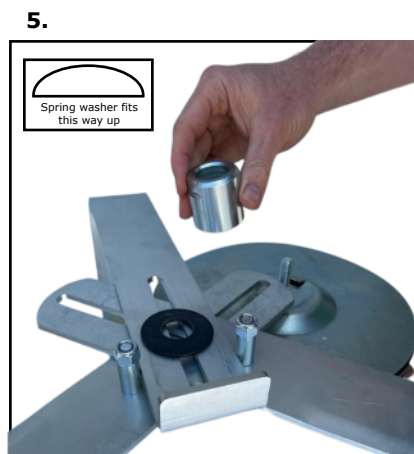
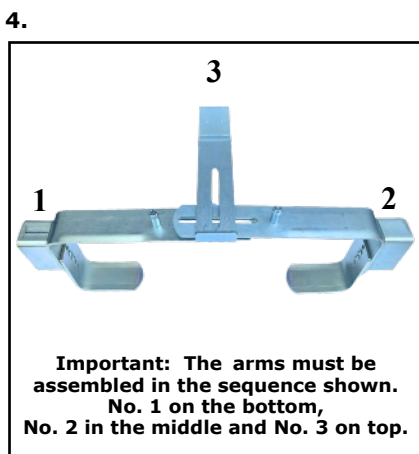
- | | |
|-------------------------------|---|
| 1. Cover plate incl. Lock x 1 | 6. Return arms x 3 |
| 2. Rubber disc x 1 | 7. Hollow nut (retained in rear of cover plate) |
| 3. Steel disc x 1 | 8. Spanner |
| 4. Top arm x 1 | 9. Spring washer |
| 5. Bottom arms x 2 | 10. Keys (attached to rear of cover plate) |

1 x Fitting Kit

- M8 x 12 screws x 6
- M12 x 40 coach bolt x 1
- M5 allen key x 1
- M10 coach bolt x 2
- 28mm long bush
- Aluminium blanking plug x 6



Position the bottom arm (5) and return (6) around the tyre to gauge the position of the return. Using the 5mm allen key secure the return in the appropriate position with 2 off M8 x 12mm screws. Do not tighten in position until final assembly. Attach 1 off 38mm bush to each bottom arm passing the M10 coach bolt through the square hole in the arm and then fasten in place using the spanner (8) and M10 nut .



Remove the hollow nut (7) from the red cover (1) by inserting the key and turning it a quarter turn anticlockwise. Position the arms in the order as shown and then place the spring washer on top ensuring it is in the correct orientation. Push the square head of the M12 x 40mm coach bolt through the steel disc (3) ensuring the lug locates in the slot of the L/H arm. Attach the hollow nut (7) ensuring the recess on the back of the nut is positioned in the spring washer. Attach the rubber disc (2).

7.



8.



9.



Fully extend the arms of the clamp and position the assembly around the base of the wheel. Push the clamp back and then lift the central nut and disc assembly to the centre of the wheel. Whilst still holding the central nut move the top arm into a vertical position.

10.



11.



12.



Once the top arm is in position keep hold of the central nut and pull the right hand arm tight into the tyre, followed by the left hand arm. Now hand tighten the nut. Check the fitment of the clamp and if no adjustments are required to the width then remove the assembly and fully tighten the 2 M8 x 12 screws on each of the return arms. Tap an aluminium blanking plug into the head of each of the screws to prevent removal. Repeat the above to refit the wheel clamp and tighten the central nut using the spanner (8).

13.



Insert the key into the cover plate and turn ¼ turn anticlockwise to unlock the lock. Position the lock housing over the central nut and lock it into place by turning the key a quarter turn clockwise. Remove the key.

For further guidance view our fitting video at www.bulldogsecure.com

Bulldog Security Products

Units 1 - 4 Stretton Road, Much Wenlock, Shropshire, TF13 6DH.

Tel: 01952 728171

Email sales@bulldogsecure.com www.bulldogsecure.com

Lock Lubrication.

IMPORTANT - To ensure free movement of the lock, spray lock mechanism & ball bearings with WD40 (or equivalent) minimum every four months.